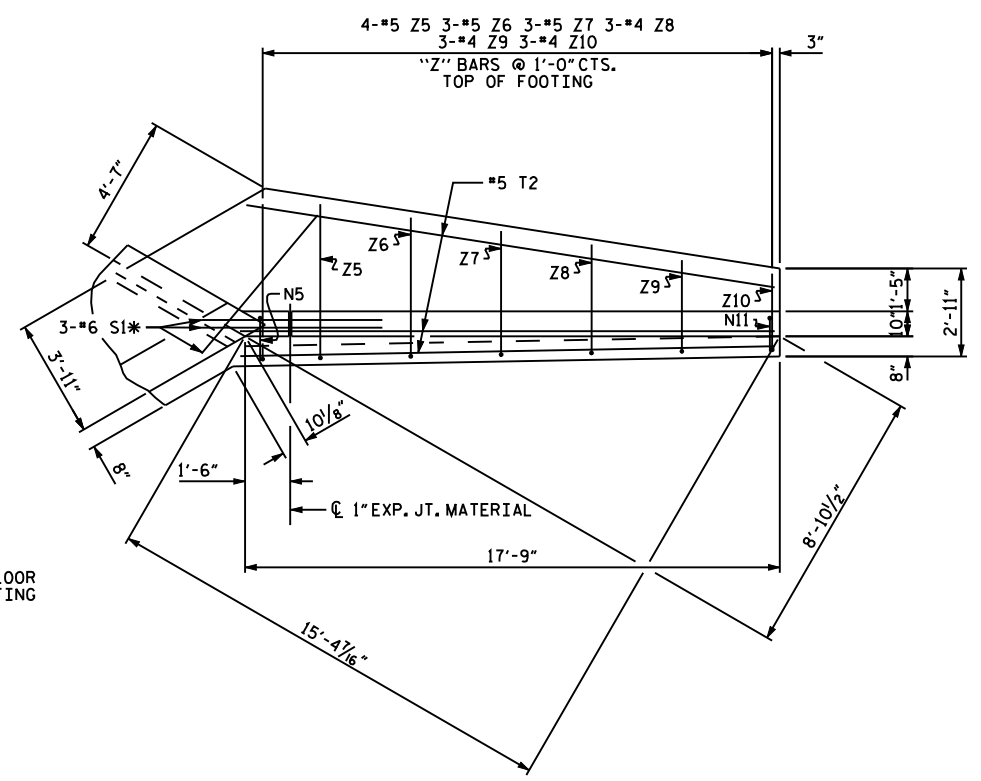
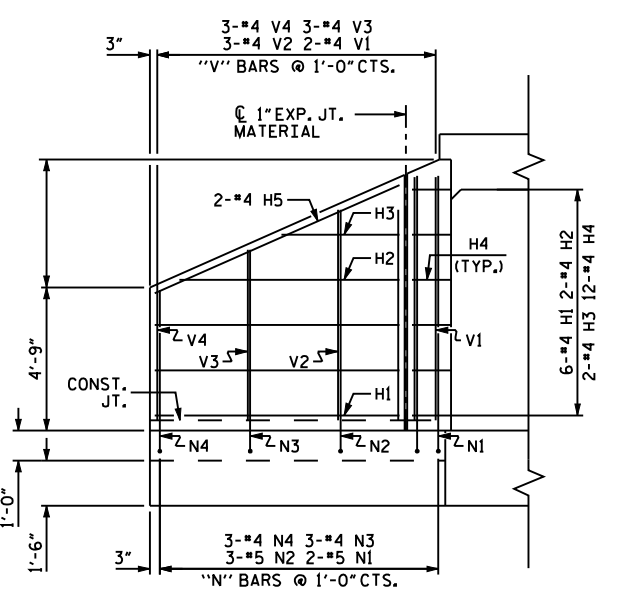


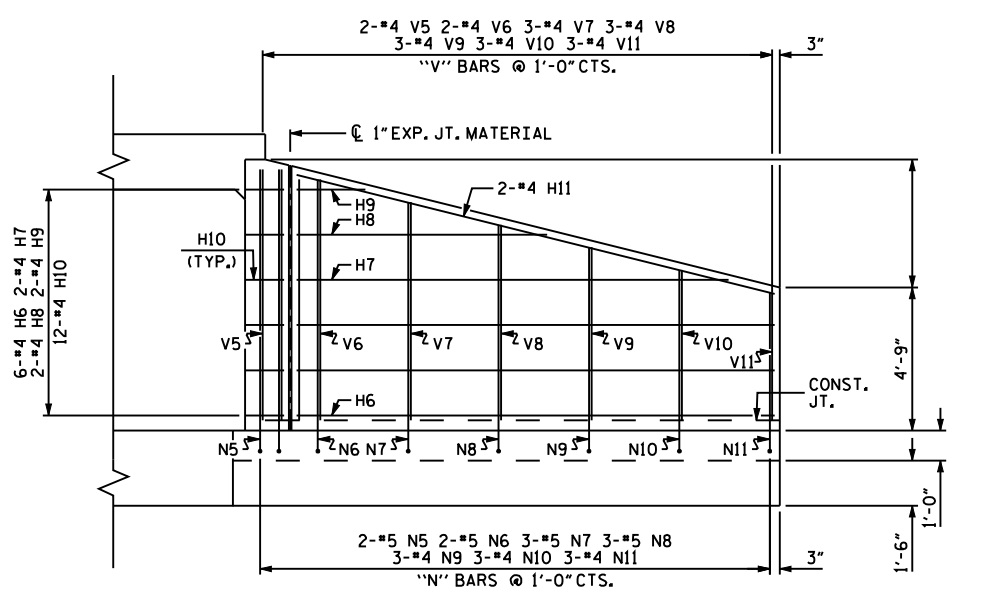
PLAN W2



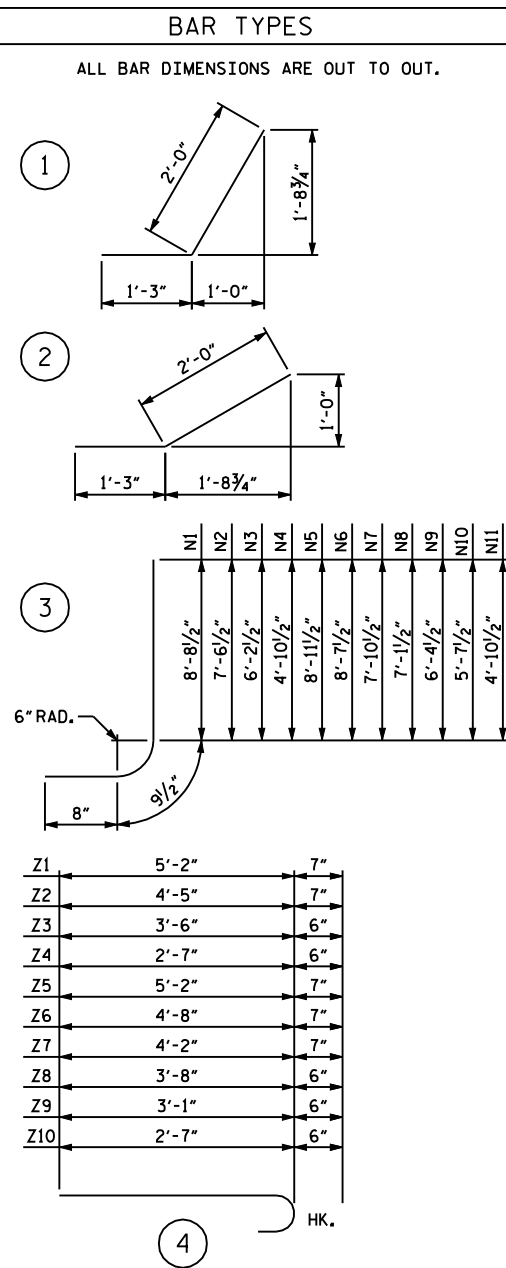
PLAN W1



ELEVATION W2

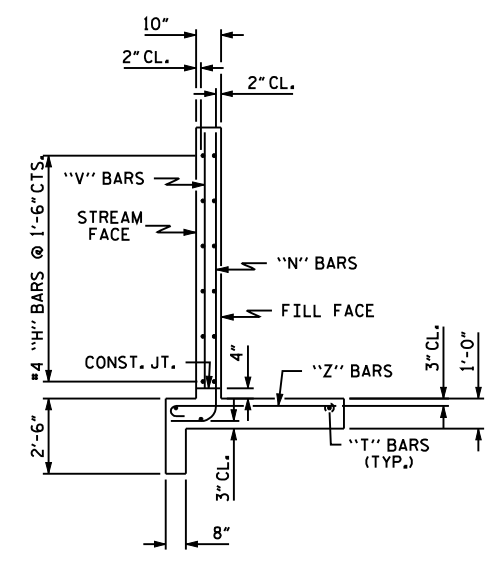


ELEVATION W1



Z1	5'-2"	7"
Z2	4'-5"	7"
Z3	3'-6"	6"
Z4	2'-7"	6"
Z5	5'-2"	7"
Z6	4'-8"	7"
Z7	4'-2"	7"
Z8	3'-8"	6"
Z9	3'-1"	6"
Z10	2'-7"	6"

BILL OF MATERIAL					
BAR NO.	SIZE	TYPE	LENGTH	WEIGHT	
H1	12	#4	STR	8'-1"	65
H2	4	#4	STR	7'-3"	19
H3	4	#4	STR	3'-11"	10
H4	24	#4	1	3'-3"	52
H5	4	#4	STR	8'-10"	24
H6	12	#4	STR	15'-10"	127
H7	4	#4	STR	14'-4"	38
H8	4	#4	STR	8'-3"	22
H9	4	#4	STR	2'-3"	6
H10	24	#4	2	3'-3"	52
H11	4	#4	STR	16'-4"	44
N1	4	#5	3	10'-2"	42
N2	6	#5	3	9'-0"	56
N3	6	#4	3	7'-8"	31
N4	6	#4	3	6'-4"	25
N5	4	#5	3	10'-5"	43
N6	4	#5	3	10'-1"	42
N7	6	#5	3	9'-4"	58
N8	6	#5	3	8'-7"	54
N9	6	#4	3	7'-10"	31
N10	6	#4	3	7'-1"	28
N11	6	#4	3	6'-4"	25
S1	12	#6	STR	6'-0"	108
T1	6	#5	STR	10'-0"	63
T2	6	#5	STR	17'-9"	111
V1	4	#4	STR	8'-1"	22
V2	6	#4	STR	7'-0"	28
V3	6	#4	STR	5'-8"	23
V4	6	#4	STR	4'-4"	17
V5	4	#4	STR	8'-4"	22
V6	4	#4	STR	8'-0"	21
V7	6	#4	STR	7'-3"	29
V8	6	#4	STR	6'-6"	26
V9	6	#4	STR	5'-9"	23
V10	6	#4	STR	5'-0"	20
V11	6	#4	STR	4'-3"	17
Z1	4	#5	4	5'-9"	24
Z2	6	#5	4	5'-0"	31
Z3	6	#4	4	4'-0"	16
Z4	6	#4	4	3'-1"	12
Z5	8	#5	4	5'-9"	48
Z6	6	#5	4	5'-3"	33
Z7	6	#5	4	4'-9"	30
Z8	6	#4	4	4'-2"	17
Z9	6	#4	4	3'-7"	14
Z10	6	#4	4	3'-1"	12
REINFORCING STEEL FOR 4 WINGS				1661	LBS
CLASS A CONCRETE					
4 WINGS				24.3	CY
2 HEADWALLS					CY
2 END CURTAIN WALLS					CY
TOTAL					CY



TYPICAL WING SECTION

PROJECT NO. _____
 _____ COUNTY
 STATION: _____

STATE OF NORTH CAROLINA
 DEPARTMENT OF TRANSPORTATION
 RALEIGH
STANDARD WINGS
 FOR
CONCRETE BOX CULVERT
 H = 8'-0" SLOPE = 2:1
 60° OR 120° SKEW

ASSEMBLED BY :	DATE :
CHECKED BY :	DATE :
DRAWN BY : CCJ 11/99	
CHECKED BY : RWW 03/00	

REVISIONS					SHEET NO.
NO.	BY:	DATE:	NO.	BY:	DATE:
1			3		
2			4		